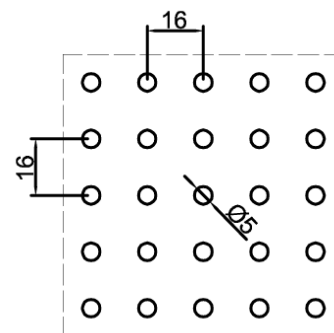
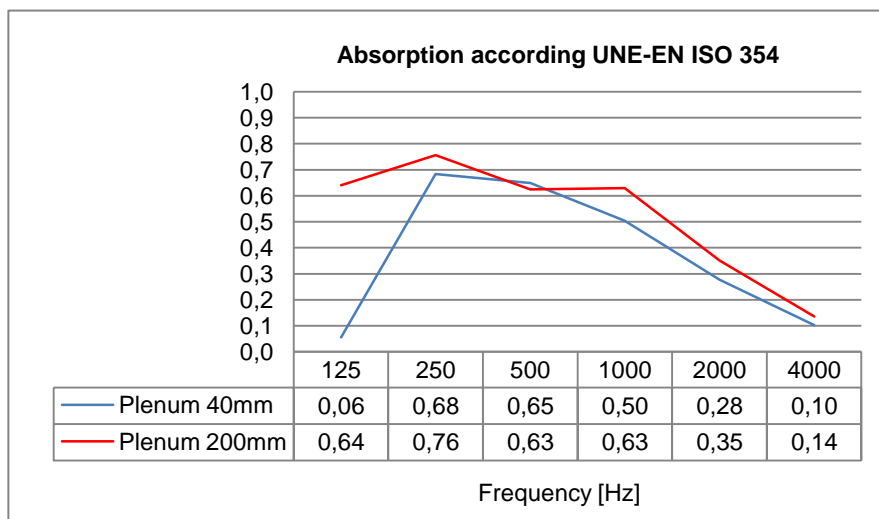


REFERENCE PAP015
DESCRIPTION Acoustic panel with aligned holes



ACOUSTIC FEATURES

Pitch (mm) 16x16
Aligned
Hole diameter (mm) Ø 5
Hole depth (mm) Through
Perforated area (%) 7.6
Sound absorption
Plenum 40mm α_w 0.25
NRC 0.60
Plenum 200mm α_w 0.30
NRC 0.60
Absorption class E / D
Mineral wool behind 40mm
30kg/m³



GENERAL FEATURES

Materials MDF standard D-s2.d0
MDF fireproof B-s1.d0 (with red or natural core)
MDF coloured throughout D-s2.d0
MDF coloured throughout B-s1.d0

Thickness (mm) 16mm and 12mm (MDF).
For other materials and thickness, contact DECUSTIK

Approximate weight (kg/m²) 7.5 (MDF standard 12mm) 9.5 (MDF fireproof 12mm)
10.0 (MDF standard 16mm) 12.5 (MDF fireproof 16mm)

Panel sizes (mm) MDF 12mm: 1200x600 / 600x600
MDF 16mm: 2400x600 / 1200x600
For other dimensions, contact with DECUSTIK

Finishing With no finish Natural wood veneer
Lacquered RAL High pressure laminate (HPL) Melamine
For other finishing, contact with DECUSTIK

APPLICATION

