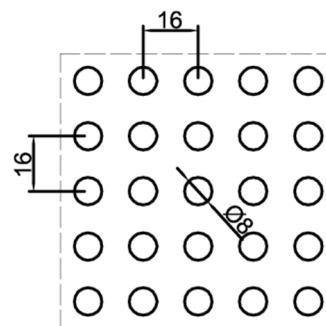


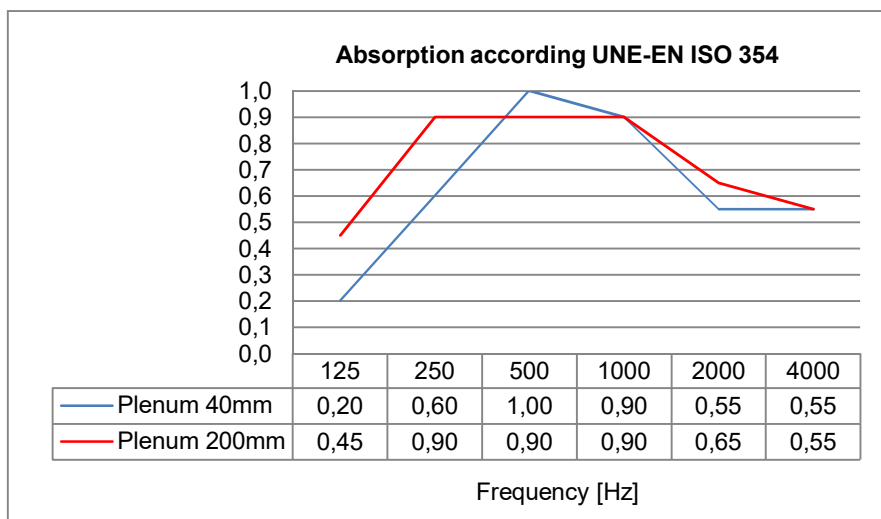
**REFERENCE**  
**DESCRIPTION**

**PAP018**  
Acoustic panel with aligned holes



**ACOUSTIC FEATURES**

Pitch (mm) 16x16  
Aligned  
Hole diameter (mm) Ø 8  
Hole depth (mm) Through  
Perforated area (%) 19.6  
**Sound absorption**  
Plenum 40mm  $\alpha_w$  0.65  
NRC 0.75  
Plenum 200mm  $\alpha_w$  0.70  
NRC 0.85  
Absorption class C  
Mineral wool behind 40mm  
30kg/m<sup>3</sup>



**GENERAL FEATURES**

**Materials**  
MDF standard D-s2.d0  
MDF fireproof B-s1.d0 (with red or natural core)  
MDF coloured throughout D-s2.d0  
MDF coloured throughout B-s1.d0

**Thickness (mm)**  
16mm and 12mm (MDF).  
For other materials and thickness, contact DECUSTIK

**Approximate weight (kg/m<sup>2</sup>)**  
7.5 (MDF standard 12mm)      9.5 (MDF fireproof 12mm)  
10.0 (MDF standard 16mm)      12.5 (MDF fireproof 16mm)

**Panel sizes (mm)**  
MDF 12mm: 1200x600 / 600x600  
MDF 16mm: 2400x600 / 1200x600  
For other dimensions, contact with DECUSTIK



**Finishing**  
With no finish      Natural wood veneer  
Lacquered RAL      High pressure laminate (HPL)      Melamine  
For other finishing, contact with DECUSTIK

**APPLICATION**

Wall coverings (MDF 16mm)

Straight visible   
Loose tongue 

Ceilings (MDF 12mm)

Straight visible   
Semi concealed   
Concealed movable 