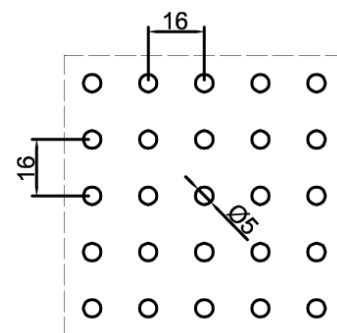


TECHNICAL SPECIFICATIONS ACOUSTIC PANELS



REFERENCE PAP015
DESCRIPTION Acoustic panel with aligned holes



ACOUSTIC FEATURES

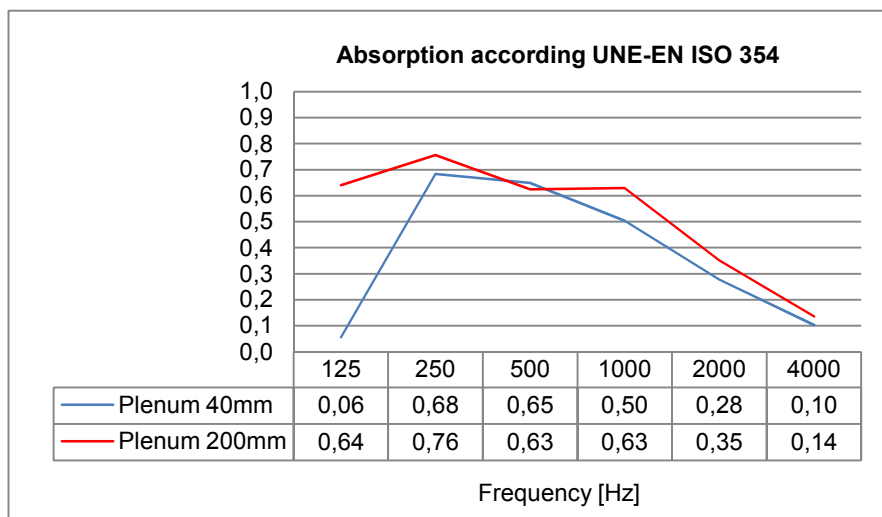
Pitch (mm) 16x16
Aligned
Hole diameter (mm) Ø 5
Hole depth (mm) Through
Perforated area (%) 7.6

Sound absorption

Plenum 40mm α_w 0.25
NRC 0.60

Plenum 200mm α_w 0.30
NRC 0.60

Absorption class E / D
Mineral wool behind 40mm
30kg/m³



GENERAL FEATURES

Materials MDF standard D-s2.d0
MDF fireproof B-s2.d0 (with red or natural core)
MDF coloured throughout D-s2.d0
MDF coloured throughout B-s2.d0

Thickness (mm) 16mm and 12mm (MDF).
For other materials and thickness, contact DECUSTIK

Approximate weight (kg/m²) 7.5 (MDF standard 12mm) 9.5 (MDF Fireproof 12mm)
10.0 (MDF standard 16mm) 12.5 (MDF Fireproof 16mm)

Panel sizes (mm) MDF 12mm: 1200x600 / 600x600
MDF 16mm: 2400x600 / 1200x600
For other dimensions, contact with DECUSTIK



Finishing With no finish Natural wood veneer
Lacquered RAL High pressure laminate (HPL) Melamine
For other finishing, contact with DECUSTIK

APPLICATION

Wall coverings (MDF 16mm)

Straight visible 
Loose tongue 

Ceilings (MDF 12mm)

Straight visible 
Semi concealed 
Concealed movable 